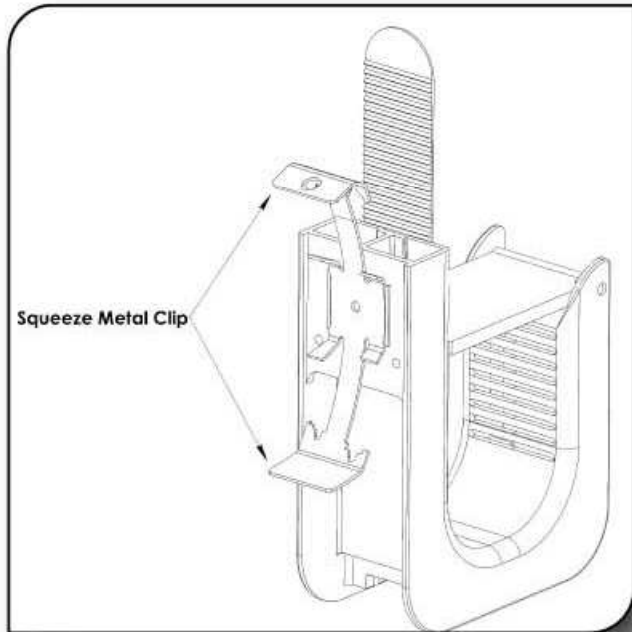


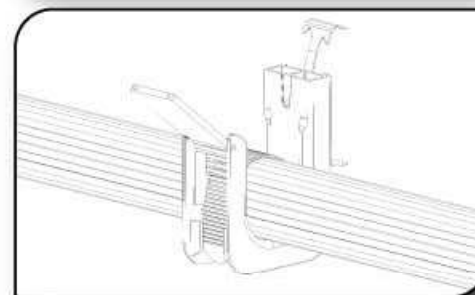
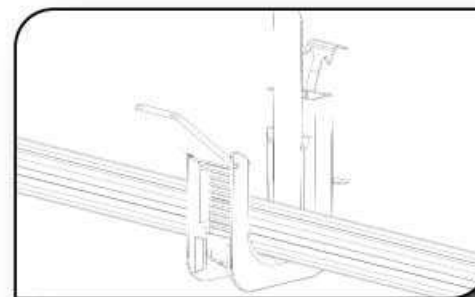
The CH-150 and CH-200 can be installed on Grid Wire, Pencil Rod and All Thread using the attached metal clip.

1. Squeeze Metal Clip



2. Place wire/All Thread on the best suited side of metal clip
 - a. Pencil Rod (6.3mm), Grid wire (2.7mm) small side of clip
 - b. All Thread (6.2mm-8.7mm) on large side of clip
3. Release tension on metal clip to hold in place

5. Lift Lid and add wire to cable hanger. Lid can be closed to prevent wire from coming out of hanger during cable pulls.



6. Zip Strap can then be secured to hold wires as illustrated.

RECOMMENDED CABLE FILL

	Dia. (inch)	Cat. 5e & Fiber	Cat. 6a min.
Cable Dia.		0.207	0.300
CH-150	1.5	44	22
CH-200	2	78	48

Suitable for 1.22m (4ft) to 1.83m (6ft) support interval